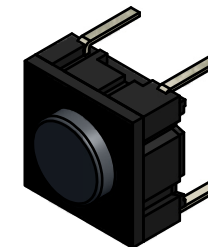
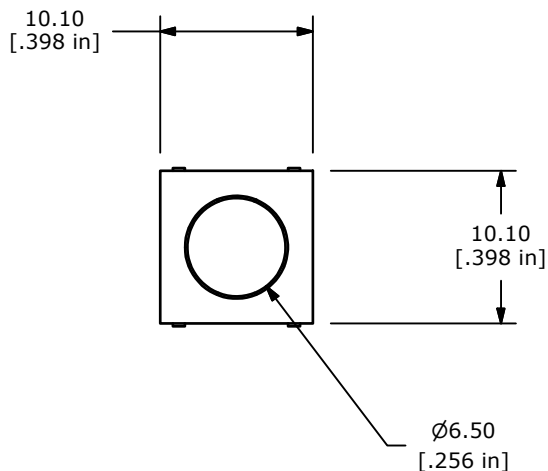
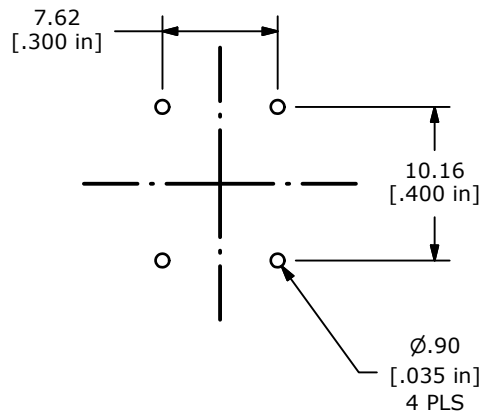
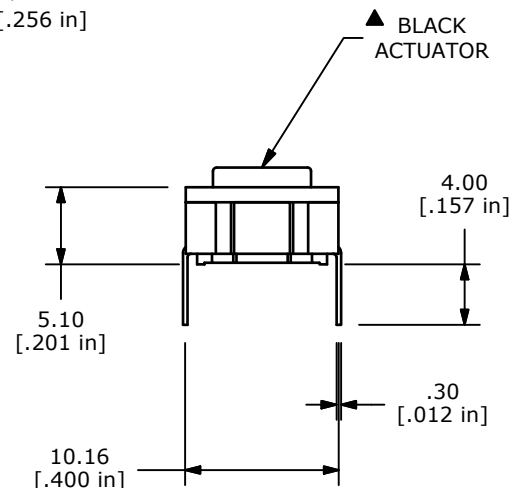
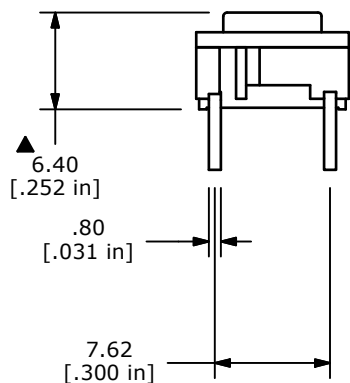


CIRCUIT: SPST



NOTES:

1. ALL DIMENSIONS IN MM [INCH]
2. GENERAL TOLERANCE: x.x= ± 0.4
x.xx= ± 0.25
3. TERM. NOS. FOR REF ONLY
4. RATING: 50 MILLI-AMPS @24VDC
5. TRAVEL: 1.0 +/-0.5mm
6. CONTACT RESISTANCE: 30 MILLIOHMS MAX
7. INSULATION RESISTANCE: 10M OHMS MIN. AT 100VDC
8. DIELECTRIC STRENGTH: 250VAC FOR 1 MINUTE
- ▲ 9. OPERATING FORCE: 300 ± 75 GF
10. PACKAGING: TUBE, 45 PIECES PER TUBE
11. LIFE CYCLES: 10,000,000 ACTUATIONS
- 12.▲ DENOTES CRITICAL PARAMETER
13. 2002/95/EC (ROHS) COMPLIANT



TITLE TL6200ABF300QP

A	20968	New Release	1/14/13	rc
REV	PCR NO	DESCRIPTION	DATE	BY

THE INFORMATION CONTAINED IN THIS DOCUMENT IS PROPRIETARY TO E-SWITCH AND IS NOT TO BE COPIED OR TRANSFERRED

SCALE 2:1	DATE 1/14/2013	DR rc	DWG T060004	REV A
--------------	-------------------	----------	----------------	----------